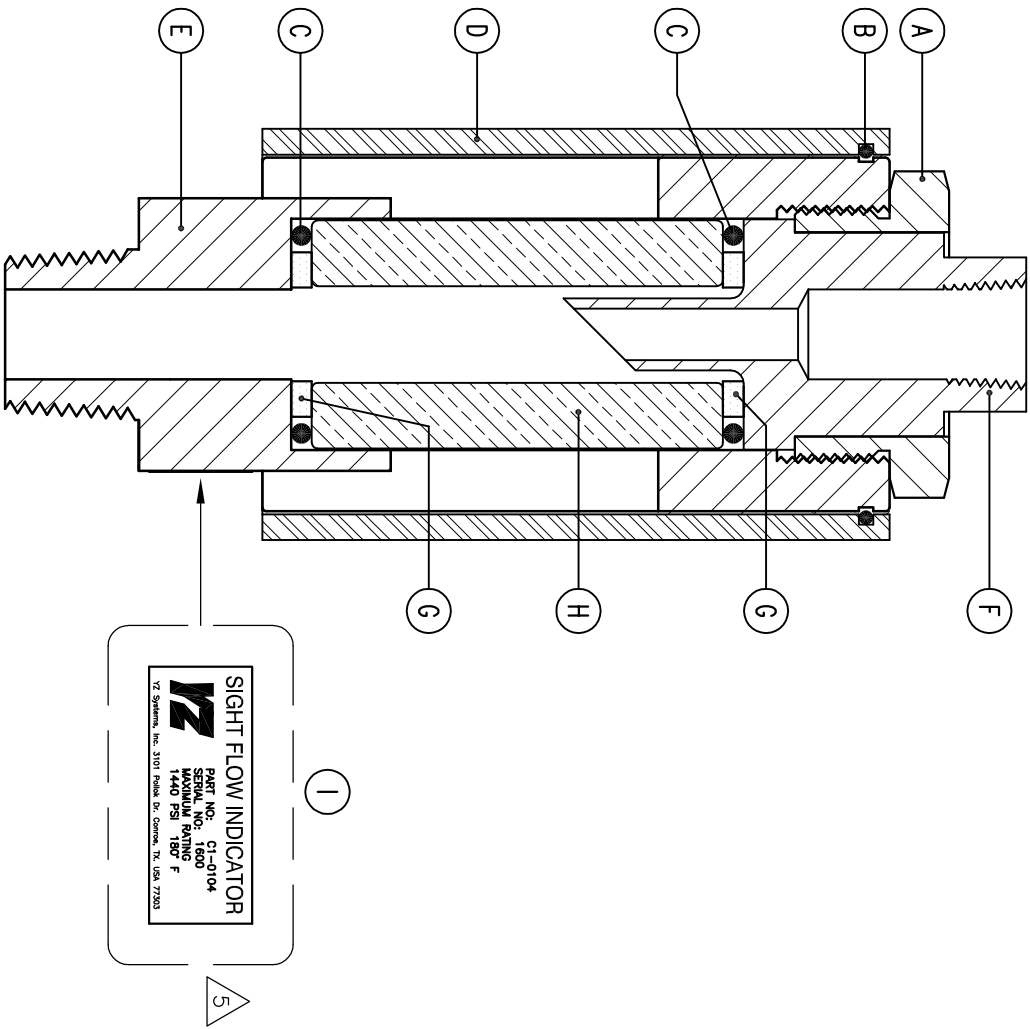


REVISIONS

REV	DATE	DESCRIPTION
1	9/4/96	ADDED COMPONENTS BOM
2	9/18/96	ADDED STOP WASHER
3	5/14/98	REDESIGN - REFER TO R2 FOR DRAWING [OC]
4	12/10/98	CHANGED P/N ON GLASS TUBE FROM C1-0134 TO C1-0135 - [C.L.L.]
5	09/10/01	ON THE LABEL, WAS CHANGED: C4-0104 TO C1-0104. REASON: CORRECT ERROR. [A.O.]

BILL OF MATERIALS

REF.	PART NO.	DESCRIPTION	QTY.	DRAWING NO.
A	C1-0106	RETAINER NUT	1	1M-0206 R4
B	A5-1031	O-RING 031 VITON	1	N/A
C	A5-1212	O-RING 212 VITON	2	N/A
D	C1-0130	SAFETY SHIELD	1	1M-0336
E	C1-0107	BODY	1	1M-0337
F	C1-0105	INLET FITTING (1/4" FNPT)	1	1M-0212 R3
G	C1-0133	CUSHION/STOP	2	1M-0338
H	C1-0135	GLASS TUBE (TEMPERED)	1	1S-0144
I	D5-0060	YZ SIGHTGLASS SERIAL LABEL	1	1S-0148



**YZ SYSTEMS**  
MILITON ROY

3101 POLLOK DR. CONROE, TEXAS 77303

DESCRIPTION: NUJEX O-RING SIGHTGLASS ASSEMBLY

DRAWING NO: 1A-0066 R5  
PART NO: C1-0104  
SCALE: NTS

SHEET 1 OF 1  
SIZE A

THIS DRAWING AND ALL INFORMATION CONTAINED HEREIN REMAINS THE PROPERTY OF YZ SYSTEMS, INC. ALL RIGHTS ARE EXPRESSLY RESERVED AND MAY NOT BE REPRODUCED IN WHOLE OR IN PART WITHOUT YZ SYSTEMS, INC. WRITTEN CONSENT.

DRAWN: *BA/20C* DATE: 8/1/95  
CHECKED: DATE:  
APPROVED: DATE: